

Solar Panel Data Sheet



Application

The OmniSite OEM solar panel kit is used to power OmniSite cellular RTU's in remote locations where AC power is not available.

Installation can be completed in under 4 hours, providing a complete stand-alone monitoring solution without the need to install an AC power circuit.

Item Description

OmniSite OEM Solar Module kits include a solar module and the OmniSite SWIL6 prewired voltage regulator with output cable.

The OEM kits are supplied with a fixed tilt, 45° side-of-pole mount. The controller features a multi-function LED indicator and fuse protection. OmniSite single crystalline, high-efficiency solar modules are manufactured to exceed industry standards providing exceptional reliability and maximum power output.

A twenty-year OEM warranty reflects the superior quality and assures long product life. The aluminum side-of-pole mounts include two clamps for nominal 2.5" through 4" poles (OD 2.875" through 4.5") and includes a 5 ft. cable.

Features

- Manufactured to exceed industry standards
- Provides exceptional reliability and maximum power output
- 12V 18Ah battery included with kit
- Charger and battery housed in separate NEMA 4X enclosure

Specifications

Model	OEM10 kit
Rated Power	10 Watts
Rated Voltage	16.4 Vmp
Rated Current	0.61 Imp
Open Circuit Voltage	21.0 Voc
Short Circuit Current	0.70 Isc
Dimensions	15.98" x 13.38"
Kit Weight	8.5 lbs

Solar Panel Data Sheet



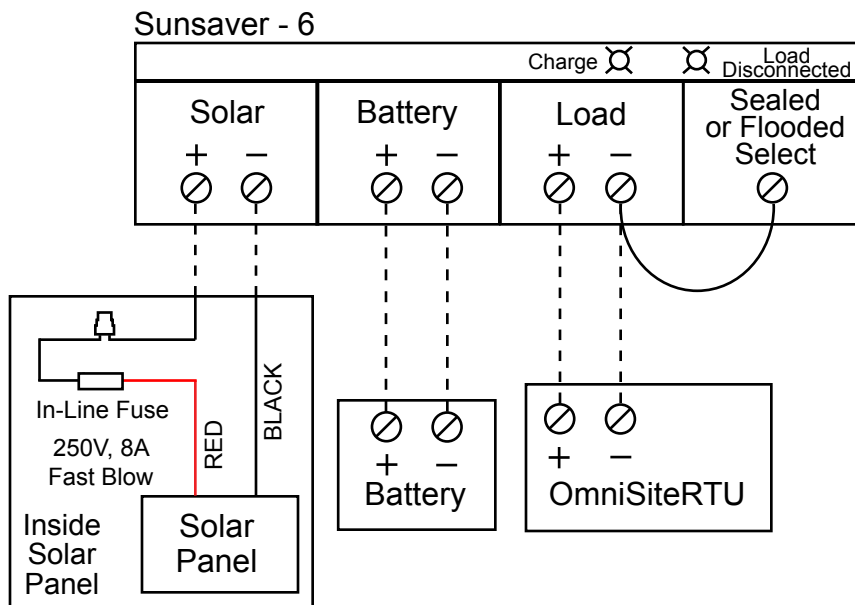
Ordering Information

Part Number: SOLAR

Wiring Instructions & Tips

- **WARNING:** For safety reasons, before hooking up wires, cover up the solar panel cells. A black trash bag works great for this.
- Hook up the wires on the Sunsaver-6 Regulator in order by number, 1 thru 6.
- For best results, face the panel due south at a 45 degree angle.
- The main battery should sit on the bottom of the enclosure that houses the Sunsaver-6 regulator.
- It will be necessary to drill one hole in the solar regulator enclosure for wiring purposes.
- **DO NOT** plug in the backup small internal battery that comes with your OmniSiteRTU. Use only the large, external battery supplied with the solar panel unit.
- **Factory Setting:** The OmniSiteRTU must be a 12 VDC unit and must be set to Low Power Mode = Enabled

Wiring Diagram



Legend
----- Denotes Field Wiring