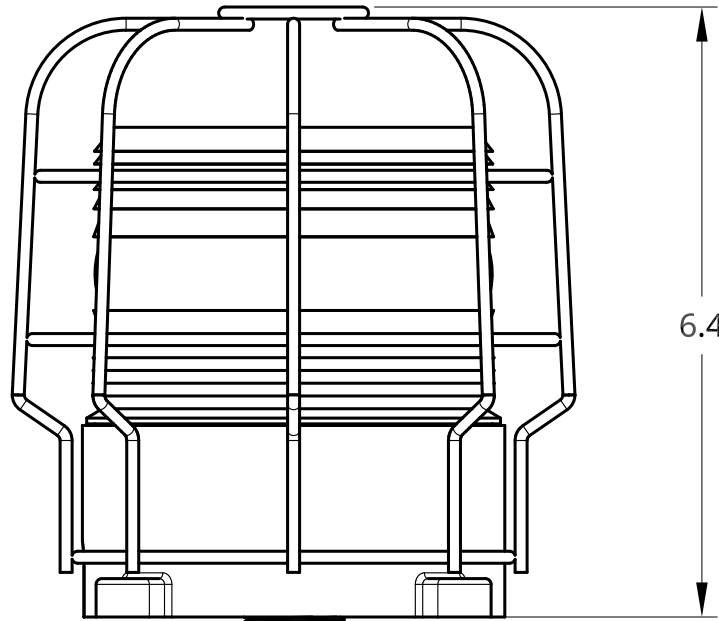
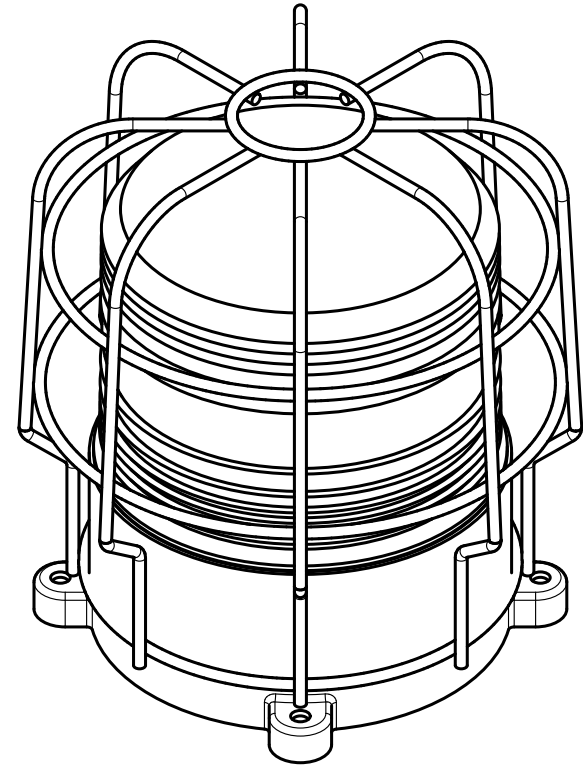


2

1

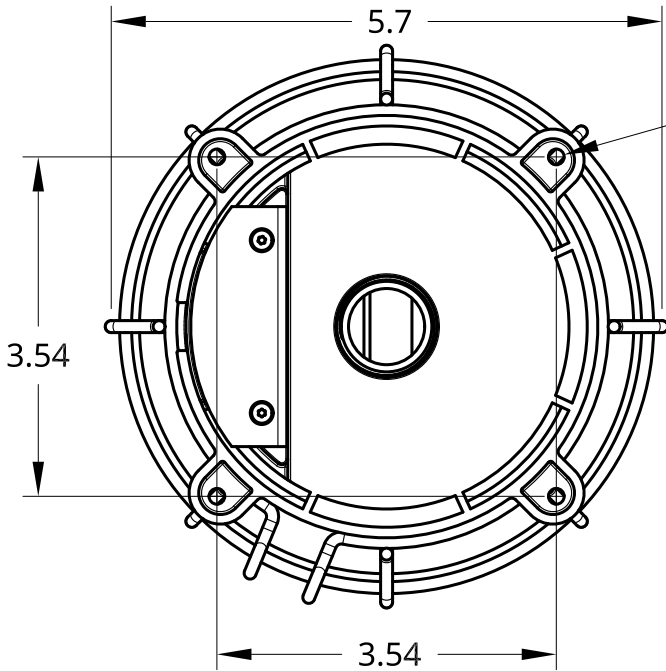


6.4



3/4" CONDUIT NIPPLE

Ø.164 4X MOUNTING SCREWS



5.7

3.54

3.54

UNLESS OTHERWISE SPECIFIED, DIMENSIONS ARE IN INCHES

.XX = ±.03
.XXX = ±.015
.XXXX = ±.005

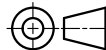
ANGULAR = ±1°
HOLES = ±.005

SURFACE FINISH

DO NOT SCALE DRAWING

BREAK ALL SHARP EDGES AND REMOVE BURRS

THIRD ANGLE PROJECTION



	NAME	DATE
DRAWN	GAGE WILKINSON	03/10/2020
CHANGED	GAGE WILKINSON	03/11/2020
CHECKED		
APPROVED		
MATERIAL	FINISH	

OmniSite

OmniBeacon

SIZE	DWG NO.	REV.
A		
SCALE	WEIGHT	SHEET
1:2		1 of 1

2

1

B

B

A

A